

# Voting with Ties: Strong Impossibilities via SAT Solving

Felix Brandt   Christian Saile   Christian Stricker

## Abstract

Voting rules allow groups of agents to aggregate their preferences in order to reach joint decisions. The Gibbard-Satterthwaite theorem, a seminal result in social choice theory, implies that, when agents have *strict* preferences, all anonymous, Pareto-optimal, and *single-valued* voting rules can be strategically manipulated. In this paper, we consider multi-agent voting when there can be ties in the preferences as well as in the outcomes. These assumptions are extremely natural—especially when there are large numbers of alternatives—and enable us to prove much stronger results than in the overly restrictive setting of strict preferences. In particular, we show that (i) all anonymous Pareto-optimal rules where ties are broken according to the preferences of a chairman or by means of even-chance lotteries are manipulable, and that (ii) all pairwise Pareto-optimal rules are manipulable, no matter how ties are broken. These results are proved by reducing the statements to finite—yet very large—problems, which are encoded as formulas in propositional logic and then shown to be unsatisfiable by a SAT solver. We also extracted human-readable proofs from minimal unsatisfiable cores of the formulas in question, which were in turn verified by an interactive higher-order theorem prover.

## 1 Introduction

One of the most prominent results in social choice theory, the Gibbard-Satterthwaite theorem, shows that, when agents have *strict* preferences, all anonymous, Pareto-optimal, and *single-valued* voting rules are susceptible to strategic manipulation [Gibbard, 1973, Satterthwaite, 1975].<sup>1</sup> The restriction to single-valued rules has been identified as a major shortcoming of the theorem. For instance, Gärdenfors [1976] claims that “[resoluteness] is a rather restrictive and unnatural assumption.” In a similar vein, Kelly [1977] writes that “the Gibbard-Satterthwaite theorem [...] uses an assumption of singlevaluedness which is unreasonable” and Taylor [2005] that “If there is a weakness to the Gibbard-Satterthwaite theorem, it is the assumption that winners are unique.” This sentiment is echoed by various other authors [see, e.g., Barberà, 1977b, Feldman, 1979b, Bandyopadhyay, 1983a,b, Duggan and Schwartz, 2000, Nehring, 2000, Ching and Zhou, 2002].

The problem with single-valuedness is that the voting rule has to return a single alternative *based on the preferences only*. For example, if there are two alternatives,  $a$  and  $b$ , and two agents such that one prefers  $a$  and the other one  $b$ , there is no deterministic way of selecting a single alternative without violating basic fairness conditions such as anonymity and neutrality.

There already is a large number of results in the literature showing impossibility theorems for set-valued voting rules [see, e.g., Gärdenfors, 1976, Barberà, 1977a,b, Kelly, 1977, MacIntyre and Pattanaik, 1981, Bandyopadhyay, 1983b, Duggan and Schwartz, 2000, Barberà et al., 2001, Ching and Zhou, 2002, Benoît, 2002, Rodríguez-Álvarez, 2007, Sato, 2008, 2014]. However, these results make relatively strong assumptions on the tie-breaking mechanisms and what the agents know about these mechanisms [Gärdenfors, 1976, Duggan and Schwartz, 2000, Barberà et al., 2001, Ching and Zhou, 2002, Benoît, 2002, Rodríguez-Álvarez, 2007,

---

<sup>1</sup>The actual statement by Gibbard and Satterthwaite is somewhat stronger because it uses non-dictatorship instead of anonymity and non-imposition instead of Pareto-optimality.

Sato, 2008, 2014], or require strong additional assumptions [Gärdenfors, 1976, Barberà, 1977a,b, Kelly, 1977, MacIntyre and Pattanaik, 1981, Bandyopadhyay, 1983b].<sup>23</sup> Some of these results even hold when individual preferences do not admit ties [Duggan and Schwartz, 2000, Ching and Zhou, 2002, Rodríguez-Álvarez, 2007, Sato, 2008]. While this assumption makes the statements stronger in the sense that they hold within a smaller domain of preferences, stronger conditions are required to derive an impossibility. In many settings, especially when there are large numbers of alternatives, it is natural or even inevitable to allow agents to express indifferences between alternatives. Moreover, in many subdomains of social choice such as coalition formation, matching, or allocation, indifferences are inherently present in the agents’ preferences because agents are only concerned with their own coalition, matching partner, or assignment. As we show in this paper, the assumption of weak preferences allows us to prove impossibility theorems that only require surprisingly weak assumptions with respect to the tie-breaking mechanism.<sup>4</sup>

We have obtained these results using computer-aided theorem proving techniques that were pioneered by Tang and Lin [2009] and have been successfully used to tackle other problems in social choice [see, e.g., Tang and Lin, 2009, Geist and Endriss, 2011, Brandt and Geist, 2016, Brandl et al., 2015a, Brandt et al., 2017, Brandl et al., 2018].<sup>5</sup> The basic idea is to reduce the statement in question to a finite—yet very large—problem, which is encoded as a formula in propositional logic and then shown to be unsatisfiable by a SAT solver. We then extract a minimal unsatisfiable set of constraints from the formula and translate this back into a human-readable proof of the result. Despite great efforts to simplify the proof of our main result as much as possible, it remains rather complex as it argues about 21 different preference profiles. We therefore verified the proof using the interactive theorem prover Isabelle/HOL, which releases any need to verify our code for generating the proof. In contrast to previous papers in this stream of research, we are even able to give a *lower bound* on the proof complexity: no such proof is possible using less than 19 preference profiles. This can be considered as evidence that it is unlikely that the statement would have been proved without the help of computers, which underlines the potential of computer-aided theorem proving in social choice theory.

## 2 Preliminaries

Let  $A = \{a, b, \dots\}$  be a finite set of  $m$  alternatives and  $N = \{1, \dots, n\}$  a finite set of agents. A (*weak*) *preference relation* is a complete, reflexive, and transitive binary relation on  $A$ . The preference relation of agent  $i$  is denoted by  $\succsim_i$ , the set of all preference relations by  $\mathcal{R}$ . We write  $\succ_i$  for the strict part of  $\succsim_i$ , i.e.,  $x \succ_i y$  if  $x \succsim_i y$  but not  $y \succsim_i x$ , and  $\sim_i$  for the indifference part of  $\succsim_i$ , i.e.,  $x \sim_i y$  if  $x \succsim_i y$  and  $y \succsim_i x$ . A preference relation  $\succsim_i$  is called *strict* if it additionally is anti-symmetric, i.e.,  $x \succ_i y$  or  $y \succ_i x$  for all distinct alternatives  $x, y$ . We will compactly represent a preference relation as a comma-separated list where all alternatives among which an agent is indifferent are written as a set. For example  $x \succ_i y \sim_i z$  is represented by  $\succsim_i: x, \{y, z\}$ . A *preference profile*  $R$  is a function

<sup>2</sup>Early results by Barberà [1977a] and Kelly [1977], for example, required voting rules to be quasi-transitively rationalizable, a condition which is almost prohibitive on its own [see, e.g., Mas-Colell and Sonnenschein, 1972].

<sup>3</sup>The models considered by Barberà et al. [2001], Benoît [2002], and Sato [2014] differ from the other ones in that they assume that agents have complete preferences over sets (subject to certain rationality constraints). Barberà et al.’s notion of strategyproofness is stronger than ours; the ones by Benoît and Sato are incomparable to ours. However, they both make the relatively strong assumption that an agent who prefers  $a$  to  $b$  to  $c$  may prefer the set  $\{b\}$  to the set  $\{a, c\}$ .

<sup>4</sup>In fact, it has turned out that for strict preferences, positive results can be obtained under the same assumptions [see, e.g., Feldman, 1979a, Nehring, 2000, Brandt, 2015].

<sup>5</sup>Geist and Peters [2017] provide an excellent introduction to these techniques.

from a set of agents  $N$  to the set of preference relations  $\mathcal{R}$ . The set of all preference profiles is denoted by  $\mathcal{R}^N$ . Our central objects of study are *social choice functions (SCFs)*, i.e., voting rules that map a preference profile to a set of alternatives called the *choice set*.<sup>6</sup> Formally, an SCF is a function

$$f: \mathcal{R}^N \rightarrow 2^A \setminus \emptyset.$$

Given a preference profile  $R$ , an alternative  $x$  *Pareto-dominates* another alternative  $y$  if  $x \succ_i y$  for all  $i \in N$  and  $x \succ_j y$  for some  $j \in N$ . An alternative is *Pareto-optimal* if it is not Pareto-dominated by some other alternative. The notion of Pareto-optimality can be used to define a simple SCF that returns the set of all Pareto-optimal alternatives. Formally,

$$PO(R) = \{x \in A: x \text{ is not Pareto-dominated in } R\}.$$

An SCF  $f$  is said to be *Pareto-optimal* if  $f(R) \subseteq PO(R)$  for all  $R \in \mathcal{R}^N$ .

Another simple SCF is *serial dictatorship*. First, the set of alternatives is restricted to the ones top-ranked by the first agent. Then, the next agent successively refines the set of alternatives to the set of most preferred alternatives from the remaining set. Formally, serial dictatorship returns

$$\max_{\succ_n} \circ \dots \circ \max_{\succ_1}(A),$$

where  $\max_{\succ_i}(X)$  denotes the maximal elements of  $X$  according to the preference relation  $\succ_i$ . Serial dictatorship is weakly dictatorial in the sense that it only returns alternatives top-ranked by a pre-determined agent.

Two common symmetry conditions for SCFs are anonymity and neutrality. An SCF is *anonymous* if the choice set does not depend on the identities of the agents and *neutral* if it is symmetric with respect to alternatives. Formally, an SCF is anonymous if  $f(R) = f(R')$  for all  $R, R' \in \mathcal{R}^N$  and all bijections  $\pi: N \rightarrow N$  such that  $\succ_i = \succ'_{\pi(i)}$  for all  $i \in N$ . For a permutation  $\pi$  on  $A$  and a preference relation  $\succ_i$ ,  $\pi(x) \succ_i \pi(y)$  if and only if  $x \succ_i y$ . An SCF  $f$  is *neutral* if  $f(R^\pi) = \pi(f(R))$  for all  $R \in \mathcal{R}^N$  and all permutations  $\pi: A \rightarrow A$  on the set of alternatives.  $PO$  is anonymous and neutral while serial dictatorship clearly violates anonymity.

For a preference profile  $R \in \mathcal{R}^N$ , let

$$n_R(x, y) = |\{i \in N: x \succ_i y\}|$$

be the number of agents who prefer  $x$  to  $y$ . The majority margin of  $x$  over  $y$  in  $R$  is denoted by  $g_R(x, y)$  where

$$g_R(x, y) = n_R(x, y) - n_R(y, x).$$

An SCF  $f$  is *pairwise* if for all  $R, R' \in \mathcal{R}^N$ ,  $f(R) = f(R')$  whenever  $g_R(x, y) = g_{R'}(x, y)$  for all alternatives  $x, y \in A$ . In other words, the choice set of a pairwise SCF only depends on the anonymized comparisons between pairs of alternatives. Since majority margins are invariant under permutations of agents, pairwise SCFs are anonymous.<sup>7</sup> When ties are allowed, pairwise-ness is slightly stronger than Fishburn's C2, which requires that the SCF only depends on  $n_R$  [Fishburn, 1977]. For example,  $PO$  satisfies C2, but violates pairwise-ness. Nevertheless, there is a large number of attractive pairwise and Pareto-optimal SCFs [see, e.g., Fishburn, 1977, Fischer et al., 2016]. Typical examples are Borda's rule, Kemeny's rule, the Simpson-Kramer rule (aka maximin), Nanson's rule, Schulze's rule, ranked pairs, or the essential set.

<sup>6</sup>Such functions are sometimes also called *social choice correspondences*.

<sup>7</sup>Note that, in contrast to other papers, we do not require pairwise SCFs to be neutral [e.g., Aziz et al., 2014, Brandl et al., 2015b].

A very influential concept in social choice theory is that of a Condorcet winner, i.e., an alternative that is preferred to every other alternative by some majority of agents. Formally, an alternative  $x$  is a *Condorcet winner* in  $R$  if  $g_R(x, y) > 0$  for all  $y \in A \setminus \{x\}$ . A *Condorcet extension* is an SCF that uniquely returns a Condorcet winner whenever one exists.

### 3 Strategyproofness of Set-Valued Social Choice Functions

An important phenomenon in social choice is that agents misrepresent their preferences in order to obtain a more preferred outcome. This is often called strategic manipulation.

#### 3.1 Tie-Breaking Mechanisms

When defining strategic manipulability for set-valued SCFs, one needs to specify how ties are broken and how much the agents know about the tie-breaking mechanism. In this paper, we will be concerned with the following tie-breaking mechanisms and corresponding epistemic assumptions.

1. Ties are broken arbitrarily; agents do not have any knowledge about the tie-breaking mechanism.
2. Ties are broken by a chairman, i.e., there exists a strict tie-breaking ordering; this ordering is unknown to the agents.
3. Ties are broken by lottery and outcomes are compared based on expected utility; agents are neither aware of the probabilities nor of their concrete utility functions.<sup>8</sup>
4. Ties are broken by an even-chance (i.e., uniform) lottery and outcomes are compared based on expected utility; agents are unaware of their concrete utility functions.

Note that uncertainty on behalf of the agents in Assumption (1) and (2) is crucial. If the tie-breaking mechanism were deterministic and known to the agents, we are in the setting of single-valued SCFs and the Gibbard-Satterthwaite theorem applies. If the probabilities and concrete utility functions in Assumption (3) were known, a theorem by Hylland [1980] implies that the only Pareto-optimal SCFs are randomizations over dictatorships.

#### 3.2 Preference Extensions

As it turns out, each set of assumptions stated above can be modeled using so-called *preference extensions* which extend the agents' preferences over alternatives to preferences over sets of alternatives. The two preference extensions we consider in this paper are *Kelly's extension* Kelly [1977] and *Fishburn's extension* [Fishburn, 1972, Gärdenfors, 1979]. For all  $X, Y \subseteq A$  and  $\succsim_i \in \mathcal{R}$ ,

$$X \succsim_i^K Y \text{ iff } x \succsim_i y \text{ for all } x \in X, y \in Y, \text{ and} \tag{Kelly}$$

$$X \succsim_i^F Y \text{ iff } X \setminus Y \succsim_i^K Y \text{ and } X \succsim_i^K Y \setminus X. \tag{Fishburn}$$

---

<sup>8</sup>Utility functions are required to be consistent with ordinal preferences of the agents, i.e., if  $x \succsim_i y$ , then  $x$  has to yield at least as much utility as  $y$ . Furthermore, lotteries are assumed to be consistent with the resulting choice set in the sense that an alternative is assigned positive probability if and only if it is contained in the support of the choice set.

The strict part of these relations will be denoted by  $\succ_i^K$  and  $\succ_i^F$ , respectively. Note that

$X \succ_i^K Y$  iff  $X \succsim_i^K Y$  and there is  $x \in X, y \in Y$  such that  $x \succ_i y$ , and

$X \succ_i^F Y$  iff  $X \succsim_i^F Y$  and there is  $x \in X \setminus Y, y \in Y$  or  $x \in X, y \in Y \setminus X$  such that  $x \succ_i y$ .

It follows from the definitions that Fishburn’s extension is a refinement of Kelly’s extension. This also holds for the strict parts of both relations.

$$\succsim_i^K \subseteq \succsim_i^F \text{ and } \succ_i^K \subseteq \succ_i^F \text{ for every } \succsim_i \in \mathcal{R}.$$

### 3.3 Strategyproofness

With these extensions at hand, we can now formally define strategyproofness. An SCF  $f$  is *Kelly-manipulable* if there exist preference profiles  $R, R' \in \mathcal{R}^N$ , and an agent  $i \in N$  such that  $\succsim_j = \succsim'_j$  for all  $j \neq i$  and  $f(R') \succ_i^K f(R)$ .  $f$  is said to satisfy *Kelly-strategyproofness* if it is not Kelly-manipulable. Fishburn-strategyproofness is defined analogously. The relationship between both preference extensions implies that Fishburn-strategyproofness is stronger than Kelly-strategyproofness.

We now connect both strategyproofness notions to the tie-breaking assumptions given in Section 3.1 [see also Gärdenfors, 1979, Erdamar and Sanver, 2009, Sanver and Zwicker, 2012]. It is fairly easy to see that Kelly-strategyproofness is equivalent to strategyproofness under Assumptions (1) and (3).<sup>9</sup> Moreover, Fishburn-strategyproofness is equivalent to strategyproofness under Assumption (2) and to strategyproofness based on expected utility for a given *a priori* probability distribution. In the latter model, one quantifies over the set of consistent utility functions like in Assumption (3), but considers a more restricted set of lotteries “consistent” with the choice sets. In particular, probabilities for a given choice set have to be proportional to the values obtained by restricting a fixed, but unknown, *a priori* probability distribution over *all* alternatives to the choice set in question [see Barberà et al., 2001, Ching and Zhou, 2002, for more details]. If the *a priori* distribution is assumed to be uniform, one obtains strategyproofness under Assumption (4), which is therefore stronger than Fishburn-strategyproofness. Hence, any impossibility for Fishburn-strategyproofness also implies an impossibility for tie-breaking by even-chance lotteries.

The following example (due to Feldman [1979a]) illustrates the definitions of Kelly-strategyproofness and Fishburn-strategyproofness. To this end, consider the preference profile  $R$ .

$$\succsim_1: a, \{b, c\} \qquad \succsim_2: \{b, c\}, a$$

Clearly,  $PO(R) = \{a, b, c\}$ . Now assume that Agent 1 changes his preferences to  $\succsim'_1$  resulting in preference profile  $R'$ .

$$\succsim'_1: a, b, c \qquad \succsim'_2: \{b, c\}, a$$

Alternative  $c$  is Pareto-dominated by alternative  $b$  in  $R'$  and  $PO(R') = \{a, b\}$ . This does not constitute a Kelly-manipulation because  $X = \{a, b\}$  is not preferred to  $Y = \{a, b, c\}$  according to Kelly’s extension applied to the preference relation  $\succsim_1$  (note that  $a \succ_1 b$ ,  $a \in Y$ ,  $b \in X$ ). In fact  $X$  and  $Y$  are incomparable according to Kelly’s extension. This is in line with Assumption (1) because there could be a tie-breaking mechanism that selects  $b$  from  $X$  and  $a$  from  $Y$ . The picture looks different for Fishburn’s extension, however,

<sup>9</sup>Note that a Kelly-manipulable SCF can be *potentially* manipulated (once ties have been broken). It is possible to define an even weaker notion of strategyproofness where the SCF can be definitely manipulated. See Remark 4 in Section 5.2

as  $X \succ_1^F Y$ . To see that this concurs with Assumption (2), consider a chairman with preferences  $c, a, b$ . This chairman will select  $a$  from  $X$  and  $c$  from  $Y$  and  $a \succ_1 c$ . For all other strict preference relations of the chairman, Agent 1 will be indifferent between the eventually chosen alternatives. Clearly,  $X$  is also preferred to  $Y$  according to Assumption (4): for all utility functions consistent with  $\succ_1$ , the expected utility for an even-chance lottery between  $a$  and  $b$  exceeds that of an even-chance lottery between all three lotteries.

The example shows that  $PO$  is Fishburn-manipulable. By contrast, as first shown by Feldman [1979a],  $PO$  does satisfy Kelly-strategyproofness. Since Feldman proves this statement by making reference to stronger strategyproofness notions, we give a self-contained proof. Due to space constraints, all proofs are given in the appendix.

**Theorem 3.1.**  *$PO$  is Kelly-strategyproof.*

Serial dictatorship is a weakly dictatorial SCF satisfying Pareto-optimality and any reasonable form of strategyproofness, because choosing one’s maximal elements is strategyproof for each agent, ruling out any possibility to manipulate.

## 4 Computer-Aided Theorem Proving

Our results are obtained using the computer-aided proving methodology described by Brandt and Geist [2016]. First, we provide a reduction argument in Lemma 5.1, which allows us to prove a statement for general domain sizes by restricting ourselves to a finite number of agents and alternatives. However, in these restricted domains, the number of anonymous SCFs is huge (see Table 1 in Appendix B), which renders any type of exhaustive search infeasible. For our main results, we require three agents and three alternatives, which already admits about  $3.3 \cdot 10^{384}$  possible anonymous SCFs.<sup>10</sup> Thus, heuristic search algorithms as provided by state-of-the-art SAT solvers are required. Apart from allowing us to deal with enormous search spaces, the computer-aided approach has the major advantage that related conjectures and hypotheses, e.g., statements including additional axioms, can be checked quickly using the same framework.

### 4.1 SAT-Solving and Proof Extraction

Basically, the core of the computer-aided approach is the aforementioned encoding of the problems to be solved as a SAT instances in *conjunctive normal form (CNF)*. For this, all axioms involved need to be stated in propositional logic. All variables are of the form  $c_{R,X}$  with a preference profile  $R$  and a set of alternatives  $X \subseteq A$ . The semantics of these variables are that  $c_{R,X}$  if and only if  $f(R) = X$ , i.e., the SCF  $f$  selects the set of alternatives  $X$  as the choice set for the preference profile  $R$ .

Although an encoding with variables  $c_{R,x}$  for single alternatives  $x$  rather than choice sets would require less variable symbols, it would significantly increase the complexity of the clauses for some axioms, especially for strategyproofness. Due to the fact that strategyproofness clauses outnumber all other clauses combined, we chose the former encoding with more variables but much easier clauses. First, we ensure that the variables  $c_{R,X}$  indeed model a function rather than an arbitrary relation, i.e., for each preference profile  $R$ , there is exactly one choice set  $X$  such that the variable  $c_{R,X}$  is set to true. We split this into *choice set existence*,

$$(\forall R \in \mathcal{R}^N) (\exists X \subseteq A) c_{R,X} \equiv \bigwedge_{R \in \mathcal{R}^N} \bigvee_{X \subseteq A} c_{R,X},$$

<sup>10</sup>For comparison, this search space exceeds that of Theorem 3 by Brandt and Geist [2016] and lies in between that of Theorems 1 and 2 by Brandl et al. [2015a].

and *uniqueness*,

$$(\forall R \in \mathcal{R}^N) ((\forall Y, Z \subseteq A) Y \neq Z \rightarrow \neg(c_{R,Y} \wedge c_{R,Z})) \equiv \bigwedge_{R \in \mathcal{R}^N} \bigwedge_{Y \neq Z} (\neg c_{R,Y} \vee \neg c_{R,Z}).$$

By contrast to these rather elaborate axioms, the formalization of Pareto-optimality can be easily written without logical disjunctions as

$$(\forall R \in \mathcal{R}^N) (\forall x \notin PO(R)) x \notin f(R) \equiv \bigwedge_{R \in \mathcal{R}^N} \bigwedge_{x \notin PO(R)} \bigwedge_{X \ni x} \neg c_{R,X}.$$

After encoding the axioms using a Java program, satisfiability of the SAT instance is checked with the LINGELING solver family by Biere [2013]. If an instance turns out to be unsatisfiable, we extract a *minimal unsatisfiable core* (also called a *minimal unsatisfiable set (MUS)*), a feature which is offered by a range of SAT solvers. A subset of clauses is an *unsatisfiable core* if it is already unsatisfiable by itself. If removing any clause from the unsatisfiable core renders it satisfiable, it is called minimal. However, although an MUS is inclusion-minimal, it is not necessarily a *smallest* unsatisfiable core, i.e., a core with a minimal number of clauses or variables. In particular, an MUS does not have to be unique.

Especially with regard to proof extraction later on, we intend to find a smallest minimal unsatisfiable set (SMUS). This can theoretically be done with the software tool MARCO by Liffiton et al. [2016], as it offers an option to search for an SMUS.<sup>11</sup> Although MARCO does not terminate in any reasonable amount of time for our problem sizes,<sup>12</sup> it returns the smallest MUS found *so far*. Thus, it yields increasingly better approximations of an SMUS over time.

Additionally, we aim at minimizing the number of required preference profiles instead of the number of all clauses of the CNF formula. One of the reasons behind this is that strategyproofness is responsible for most of the clauses in our SAT instances, resulting in MARCO spending most of the runtime on optimizing the size of the MUS concerning the number of applications of strategyproofness only, instead of rather concentrating on the number of different preference profiles involved in it. We realized this optimization objective by using *group-oriented* CNF formulas and declaring clauses of the choice set existence axioms as *interesting* groups and all the remaining clauses as a single *don't care* group. This technique significantly increases the performance of our search for a (group-oriented) SMUS. See Liffiton and Sakallah [2008] for more details on group-oriented SAT solving.

Moreover, with the group-oriented approach, we can now also give lower bounds for the number of profiles needed in such impossibility proofs. The number of profiles seems to be a reasonable measure of proof complexity, even though it is, of course, entirely possible that proofs using more profiles turn out to be “easier,” e.g., by requiring fewer case distinctions. We achieve the lower bound with the tool FORQES by Ignatiev et al. [2015], as it supports a restricted version of group-oriented SAT solving, namely the specification of *don't care* clauses.<sup>13</sup> In contrast to MARCO, it does not compute or return approximations of an SMUS during its runtime, but rather iteratively rules out the existence of an MUS of a given size starting with the trivial size of just one clause (and finally returns an SMUS if not aborted before).

After finding a sufficiently small MUS, a proof trace can be extracted from the MUS with the help of certain SAT solvers like PICOSAT by Biere [2008]. If this yields a reasonably sized

<sup>11</sup>The option `--smus` for searching an SMUS is available up to version 1.1 only.

<sup>12</sup>The decision problem corresponding to finding an SMUS, i.e., whether there exists an MUS of size less than or equal to  $k$  is  $\Sigma_2^P$ -complete [Ryvchin and Strichman, 2011, Ignatiev et al., 2015].

<sup>13</sup>The *don't care* clauses have to be specified in a separate CNF file and called via the `-n` option.

proof trace, we can directly create a pen-and-paper proof by going through its main steps and translating the clauses back to the preference profile level. For this we use a dictionary containing the correspondences between SAT variables and preference profile/choice set combinations. We used this method, e.g., for Theorem 5.4.

## 4.2 Formal Verification

If the computer-generated proof exceeds a reasonable size, it becomes a tedious and error-prone task for humans to translate the output of the SAT solver to a human-readable proof and thereby checking correctness. Simply accepting the black-box-like output of the SAT solver as a proof is not sufficient, as one has *(i)* to trust the correctness of the SAT solver and *(ii)* to rely on the correctness of the Java code that generates the CNF formula in the first place. The first concern is less problematic and is addressed by using a verified SAT solver [Marić, 2010]. However, more importantly, there is no guarantee that the Java program meets its specification. Even a verified SAT solver may produce an overall unsound proof due to a bug in the Java code for encoding the axioms. To tackle this issue, we make use of the interactive theorem prover Isabelle/HOL [see, e.g., Nipkow et al., 2002] to produce a machine-verified proof. The main application of the generic proof assistant Isabelle is the formalization of mathematical proofs and formal verification. Building on the framework introduced by Brandl et al. [2018], the set of preference profiles and conditions obtained from the MUS is translated to Isabelle and the user interactively develops the proof. This approach entirely removes the dependence on the unverified Java program and we obtain an independent Isabelle proof that can even be checked manually step by step. Trustworthiness of Isabelle is considerably high as it is widely used for verification tasks.<sup>14</sup>

## 5 Results

We start by showing that for impossibility results using Pareto-optimality and strategyproofness, it suffices to prove that the axioms are incompatible for some fixed number of alternatives and agents.

**Lemma 5.1.** *Let  $f$  be an anonymous SCF  $f$  that satisfies Pareto-optimality and strategyproofness for  $A$  and  $N$ . Then there is an anonymous SCF  $f'$  that satisfies these axioms for any  $A' \subseteq A$  and  $N' \subseteq N$ .*

It is easily seen that Lemma 5.1 also holds for neutral SCFs.

### 5.1 Fishburn-Strategyproofness

Recall from Section 3.3 that  $PO$  is Fishburn-manipulable. Our main theorem is a much more general statement showing that *every* anonymous and Pareto-optimal SCF is Fishburn-manipulable.

**Theorem 5.2.** *There is no anonymous SCF that satisfies Pareto-optimality and Fishburn-strategyproofness for  $m \geq 3$  and  $n \geq 3$ .*

The full proof of Theorem 5.2 is omitted due to space constraints. Instead, we provide some information on its size and structure and prove a weaker version of Theorem 5.2 for neutral SCFs (Corollary 5.3). Starting from the initial, unsatisfiable SAT instance, we used MARCO to find a small (group-oriented) MUS, which utilizes the 21 profiles listed in Table 2

<sup>14</sup>Using higher-order proof assistants such as Isabelle/HOL to prove these theorems in the first place is currently completely out of reach.



in Appendix B. Although the MUS does not guarantee that this is the minimal number of profiles needed, no significantly easier proof of this form exists, because we were able to compute a lower bound of 19 profiles with FORQES. With the help of PICOSAT, we extracted a proof out of the MUS which is divided in 22 main proof steps.<sup>15</sup>

The first step in the raw proof trace looks as follows.

```
111 -4 0 1 2 3 5 9 10 11 12 13 18 20 21 22 23 26 27 28 29 30 31 32 33
    34 45 46 47 48 56 57 63 64 65 66 67 68 69 70 71 72 73 74 75
    76 77 96 98 99 101 102 103 104 106 107 0
```

with 111 designating the clause ID of this step (also counting all clauses from the MUS). The numbers after the first zero indicate the IDs of the clauses (corresponding to profiles, manipulation instances and previous proof steps) that have to be applied. The literal in front of the first zero indicates the result—here that the SAT variable 4 is false. The second zero indicates the end of this proof step.

Translating the raw output into a human-readable format, it turns out that only profiles  $R^1$  to  $R^5$ , and  $R^{10}$  are directly affected in the results of these main proof steps. The rest of the profiles are needed in intermediate steps. Table 3 in Appendix B shows the sequence of the proof steps indicated by letters in alphabetic ordering. A gray entry designates a proof step that shows that the profile in this row cannot be assigned the choice set corresponding to its column. Accordingly, when all possible choice sets except one are ruled out for a given profile, the remaining set must be chosen, as indicated in bold. Observe that alternative  $a$  is Pareto-dominated in the first three profiles. Thus, the choice sets  $\{a\}$ ,  $\{a, b\}$ ,  $\{a, c\}$ , and  $\{a, b, c\}$  are not allowed for these profiles.

The highlighted gray area marks the final contradiction that no choice set can be assigned to profile  $R^2$ . Each main proof step consists of a separate proof by contradiction using the profiles listed in Table 4 in Appendix B with the dependencies between the steps shown in Figure 1 in Appendix C. Exemplary, proof step A, which shows  $f(R^4) \neq \{a\}$ , involves 40 applications of Fishburn-strategyproofness involving profiles 4, 1, 3, 2, 12, 10, 11, 13, 18, 20, 9, 21, and 5 in this ordering and is a direct prerequisite for the steps B, C, D and N. The very first step assumes for contradiction that  $f(R^4) = \{a\}$  and yields that  $f(R^1) = \{c\}$ , because  $a$  is Pareto-dominated by  $c$  in  $R^1$  and  $b \in f(R^1)$  would contradict Fishburn-strategyproofness.

We now give an excerpt of our Isabelle proof. In contrast to the encoding for SAT-solving, where there is only one type of variables, the formalization in Isabelle employs variables for alternatives, agents, preference profiles, and social choice functions and allows for a straightforward formulation of the result in higher-order logic. According to Table 2 in Appendix B, we instantiate preference profiles R1 and R4 with fixed variables  $a, b, c$  for alternatives and A1, A2, A3 for agents, respectively.

```
R1 = A1: [a, c], b  A2: [a, c], b  A3: b, c, a
R4 = A1: [a, c], b  A2: a, b, c    A3: b, c, a
```

Next we derive the restrictions Pareto-optimality imposes on the outcome of the social choice function  $\text{scf}$ . While it is obvious that Pareto-optimality implies  $a$  must not be in  $\text{scf}$  R1, the formal proof requires this to be derived from the elementary definition of Pareto-optimality.

```
lemma : "a ∉ scf R1"
  by (rule pareto_efficiency)
  (simp_all add: eval_pareto R1.eval)
```

<sup>15</sup>We applied Pareto-optimality constraints manually before these proof steps to make the proof as compact as possible.

In a similar vein, we proceed with the strategyproofness condition. We prove that agent A2 in preference profile R1 must not prefer the outcome of `scf R4` to the outcome of `scf R1`.

```
lemma : "¬ scf R4 > [Fishb(R1 A2)] scf R1"
  by (intro strategyproof' [where j = A2])
     (simp_all add: R1.eval R4.eval)
```

This example showcases the interactive nature of Isabelle. The user gives commands and Isabelle's automation completes the proof, checks that no cases are unintentionally omitted, and derives the equivalent statement in a quantifier-free formula.

$$\begin{aligned} & b \in \text{scf R4} \wedge c \notin \text{scf R4} \wedge c \in \text{scf R1} \vee b \in \text{scf R4} \wedge b \notin \text{scf R1} \wedge \\ & c \in \text{scf R1} \vee (b \in \text{scf R1} \rightarrow a \notin \text{scf R4} \wedge (c \in \text{scf R1} \vee c \notin \text{scf R4})) \wedge \\ & (b \in \text{scf R1} \rightarrow b \in \text{scf R4} \vee a \notin \text{scf R4} \wedge c \notin \text{scf R4}) \end{aligned}$$

In order to verify Theorem 5.2, we apply these steps to the preference profiles and manipulation instances indicated by the MUS. The generated quantifier-free formulas are gathered and the conjunction thereof is proven to be unsatisfiable. Replication data for the Isabelle proof can be found in Brandt et al. [2018].

For the reader's benefit, in the appendix, we give a full, human-readable proof of a significantly weaker version of Theorem 5.2 which additionally assumes neutrality. This proof is based on only three preference profiles (rather than 21) and requires only five strategyproofness applications (rather than 89).

**Corollary 5.3.** *There is no neutral and anonymous SCF that satisfies Pareto-optimality and Fishburn-strategyproofness for  $m \geq 3$  and  $n \geq 2$ .*

*Remark 1.* Using a more complicated proof, it can be shown that Corollary 5.3 even holds for a weakening of Fishburn-strategyproofness where choice sets can only be compared when they are disjoint or contained in each other. We are unable to prove the same for Theorem 5.2, even when  $m = 4$  and  $n = 3$  or when  $m = 3$  and  $n = 4$ .

*Remark 2.* The main result by Brandt and Geist [2016] shows that all Pareto-optimal *majoritarian* SCFS are Fishburn-manipulable when  $m \geq 5$  and  $n \geq 7$ . This result is implied by Theorem 5.2, except that the result by Brandt and Geist even holds for strict preferences.

*Remark 3.* The axioms of Theorem 5.2 are independent of each other. *PO* satisfies all axioms except Fishburn-strategyproofness, serial dictatorship satisfies all axioms except anonymity, and the trivial SCF which always returns all alternatives satisfies all axioms except Pareto-optimality. Also, the bounds used in the theorem ( $m \geq 3$  and  $n \geq 3$ ) are tight, as confirmed by the SAT solver.

*Remark 4.* When assuming strict preferences, there are various Fishburn-strategyproof SCFs satisfying Pareto-optimality, e.g., *PO* or the SCF that returns all top-ranked alternatives [Brandt and Brill, 2011]. Theorem 5.2 shows that these SCFs cannot be extended to weak preferences without giving up one of these desirable properties.

*Remark 5.* *Weak Pareto-optimality* requires that an alternative  $y$  should not be selected whenever there is another alternative  $x$  such that  $x \succ_i y$  for all  $i \in N$ . Theorem 5.2 does not hold when replacing Pareto-optimality with weak Pareto-optimality because the SCF that returns all first-ranked alternatives satisfies weak Pareto-optimality and Fishburn-strategyproofness. Note that the SCF that returns all weakly Pareto-optimal alternatives violates Fishburn-strategyproofness. This can be seen by replacing the second agent's preferences in the example given in Section 3.3 with  $\succ_2: b, \{a, c\}$ .

## 5.2 Kelly-Strategyproofness

It is not possible to replace Fishburn-strategyproofness with Kelly-strategyproofness in Theorem 5.2 because  $PO$  is Kelly-strategyproof. We therefore focus on pairwise SCFs when dealing with Kelly-strategyproofness and directly present a human-readable proof of the following impossibility.

**Theorem 5.4.** *There is no pairwise SCF that satisfies Pareto-optimality and Kelly-strategyproofness for  $m \geq 3$  and  $n \geq 3$ .*

The original proof of Theorem 5.4 found by the SAT solver consisted of nine preference profiles and we used FORQES to verify that no proof with less than nine profiles exist. The proof in the appendix only argues about five profiles because the first step (“without loss of generality”) implicitly makes reference to profiles that are not spelled out explicitly.

*Remark 6.* The conjunction of pairwise-ness and Pareto-optimality implies that Condorcet winners should be chosen whenever the pairwise majority relation is transitive and its margins have absolute value one. We have shown that Theorem 5.4 also holds when pairwise-ness is replaced with this weaker, but technical, condition and  $n \geq 4$ . Note that this technical assumption is weaker than requiring the SCF to be a Condorcet extension.<sup>16</sup> Interestingly, the SMUS we found for this statement also consists of nine profiles.

*Remark 7.* The axioms of Theorem 5.4 are independent of each other. Borda’s rule satisfies all axioms except Kelly-strategyproofness,  $PO$  satisfies all axioms except pairwise-ness, and the trivial SCF which always returns all alternatives satisfies all axioms except Pareto-optimality. Also, the bounds used in the theorem ( $m \geq 3$  and  $n \geq 3$ ) are tight, as confirmed by the SAT solver.

*Remark 8.* Theorem 5.4 implies Theorem 4 by Aziz et al. [2014], who use a stronger notion of strategyproofness and furthermore require  $m, n \geq 4$ . Brandl et al. [2015a, Table 2] mention a consequence of this theorem for Fishburn-strategyproof SCFs. Interestingly, this consequence follows from both Theorem 5.2 and Theorem 5.4.

*Remark 9.* When assuming strict preferences, there are attractive pairwise Kelly-strategyproof SCFs satisfying Pareto-optimality, e.g., the uncovered set, the minimal covering set, and the essential set [Brandt, 2015]. Theorem 5.4 shows that these SCFs cannot be extended to weak preferences without giving up one of these desirable properties. The same is true if we instead define Kelly’s extension by requiring that  $X$  is preferred to  $Y$  if and only if every alternative in  $X$  is *strictly* preferred to every alternatives in  $Y$  [Brandt, 2015, Remark 6].

*Remark 10.* Theorem 5.4 does not hold when replacing Pareto-optimality with weak Pareto-optimality (see Remark 5). The SCF that returns all weakly Pareto-optimal alternatives satisfies pairwise-ness, weak Pareto-optimality, and Kelly-strategyproofness.

*Remark 11.* When preferences are dichotomous (i.e., each preference relation admits at most two indifference classes), both impossibilities do not hold because approval voting satisfies all desired conditions.  $PO$ , however, still violates Fishburn-strategyproofness, which can be seen by modifying the example given in Section 3.3.

---

<sup>16</sup>Brandt [2015, Theorem 2] has also shown that every Condorcet extension is Kelly-manipulable. While his proof needs  $3m$  agents, we require Pareto-optimality for our reduction argument.

## 6 Conclusion and Discussion

We investigated the existence of anonymous, Pareto-optimal, and strategyproof SCFs when there may be ties in the preferences as well as in the outcomes. Our main results are as follows.

1. There are no such SCFs when ties are broken according to the preferences of a chairman or by means of an even-chance lottery (Theorem 5.2).
2. There are no such pairwise SCFs, no matter how ties are broken (Theorem 5.4).

The computer-aided proof of Theorem 5.2 is rather complex and we have shown that no significantly easier proof exists. The interpretation using even-chance lotteries can be used to relate this statement to a recent significant result in probabilistic social choice [Brandl et al., 2018]. Brandl et al. [2018] have shown that there is no anonymous, neutral, and strategyproof SCF that satisfies a strengthening of Pareto-optimality called *SD*-efficiency, when ties are broken by *arbitrary* lotteries (known to the agents). Our result is weaker in that it only allows for even-chance lotteries, but it is stronger in that it only requires Pareto-optimality (rather than *SD*-efficiency) and dispenses with neutrality. Even-chance lotteries are the most natural—and sometimes the only acceptable—form of randomized tie-breaking [see, e.g., Fishburn, 1972]. Moreover, it may be difficult to implement non-uniform lotteries in practice.

Neutrality seems like an appealing fairness criterion, but can be overly restrictive in some settings [see, e.g., Sen, 1970, Zwicker, 2008]. In fact, many voting rules used in the real world such as supermajority rules are not neutral. It was technically very challenging and required the aid of computers to prove Theorem 5.2 without the assumption of neutrality. Mossel and Rácz [2015] faced similar difficulties when generalizing the quantitative Gibbard-Satterthwaite theorem by Isaksson et al. [2012] to non-neutral SCFs.

Due to our weak assumptions about tie-breaking mechanisms, our results use much weaker notions of strategyproofness than those by Duggan and Schwartz [2000], Barberà et al. [2001], Ching and Zhou [2002], Rodríguez-Álvarez [2007], and Sato [2008]. In part, this is possible because we allow for weak preferences.

Our results are tight in the sense that omitting any of the axioms, weakening Pareto-optimality to weak Pareto-optimality, reducing the number of agents or alternatives, or requiring strict preferences immediately allows for positive results. This underlines the adequacy of impossibility results to improve our understanding of what *can* be achieved and to guide practitioners looking for attractive SCFs. There are few opportunities to strengthen our results even further. One is to try to replace anonymity with weaker conditions such as non-dictatorship conditions for weak preferences. This would, however, require a new and more complicated reduction argument.

## Acknowledgments

This material is based on work supported by the Deutsche Forschungsgemeinschaft under grant BR 2312/11-1. The authors thank Florian Brandl for helpful discussions and Manuel Eberl for Isabelle support. This article also appears in the Proceedings of the 17th International Conference on Autonomous Agents and Multiagent Systems (AAMAS).

## References

- H. Aziz, F. Brandl, and F. Brandt. On the incompatibility of efficiency and strategyproofness in randomized social choice. In *Proc. of 28th AAAI Conference*, pages 545–551. AAAI Press, 2014.
- T. Bandyopadhyay. Multi-valued decision rules and coalitional non-manipulability. *Economics Letters*, 13(1):37–44, 1983a.
- T. Bandyopadhyay. Manipulation of non-imposed, non-oligarchic, non-binary group decision rules. *Economics Letters*, 11(1–2):69–73, 1983b.
- S. Barberà. Manipulation of social decision functions. *Journal of Economic Theory*, 15(2):266–278, 1977a.
- S. Barberà. The manipulation of social choice mechanisms that do not leave “too much” to chance. *Econometrica*, 45(7):1573–1588, 1977b.
- S. Barberà, B. Dutta, and A. Sen. Strategy-proof social choice correspondences. *Journal of Economic Theory*, 101(2):374–394, 2001.
- J.-P. Benoît. Strategic manipulation in voting games when lotteries and ties are permitted. *Journal of Economic Theory*, 102(2):421–436, 2002.
- A. Biere. PicoSAT essentials. *Journal on Satisfiability, Boolean Modeling and Computation (JSAT)*, 4:75–79, 2008.
- A. Biere. Lingeling, Plingeling and Treengeling entering the SAT competition 2013. In *Proc. of SAT Competition 2013*, pages 51–52, 2013.
- F. Brandl, F. Brandt, C. Geist, and J. Hofbauer. Strategic abstention based on preference extensions: Positive results and computer-generated impossibilities. In *Proc. of 24th IJCAI*, pages 18–24. AAAI Press, 2015a.
- F. Brandl, F. Brandt, and J. Hofbauer. Incentives for participation and abstention in probabilistic social choice. In *Proc. of 14th AAMAS Conference*, pages 1411–1419. IFAAMAS, 2015b.
- F. Brandl, F. Brandt, M. Eberl, and C. Geist. Proving the incompatibility of efficiency and strategyproofness via SMT solving. *Journal of the ACM*, 65(2), 2018.
- F. Brandt. Set-monotonicity implies Kelly-strategyproofness. *Social Choice and Welfare*, 45(4):793–804, 2015.
- F. Brandt and M. Brill. Necessary and sufficient conditions for the strategyproofness of irresolute social choice functions. In *Proc. of 13th TARK Conference*, pages 136–142. ACM Press, 2011.
- F. Brandt and C. Geist. Finding strategyproof social choice functions via SAT solving. *Journal of Artificial Intelligence Research*, 55:565–602, 2016.
- F. Brandt, C. Geist, and D. Peters. Optimal bounds for the no-show paradox via SAT solving. *Mathematical Social Sciences*, 90:18–27, 2017. Special Issue in Honor of Hervé Moulin.
- F. Brandt, M. Eberl, C. Saile, and C. Stricker. The incompatibility of Fishburn-strategyproofness and Pareto-efficiency. *Archive of Formal Proofs*, 2018. ISSN 2150-914x. URL [http://isa-afp.org/entries/Fishburn\\_Impossibility.html](http://isa-afp.org/entries/Fishburn_Impossibility.html).

- S. Ching and L. Zhou. Multi-valued strategy-proof social choice rules. *Social Choice and Welfare*, 19(3):569–580, 2002.
- J. Duggan and T. Schwartz. Strategic manipulability without resoluteness or shared beliefs: Gibbard-Satterthwaite generalized. *Social Choice and Welfare*, 17(1):85–93, 2000.
- B. Erdamar and M. R. Sanver. Choosers as extension axioms. *Theory and Decision*, 67(4):375–384, 2009.
- A. Feldman. Manipulation and the Pareto rule. *Journal of Economic Theory*, 21:473–482, 1979a.
- A. Feldman. Nonmanipulable multi-valued social choice decision functions. *Public Choice*, 34:177–188, 1979b.
- F. Fischer, O. Hudry, and R. Niedermeier. Weighted tournament solutions. In F. Brandt, V. Conitzer, U. Endriss, J. Lang, and A. D. Procaccia, editors, *Handbook of Computational Social Choice*, chapter 4. Cambridge University Press, 2016.
- P. C. Fishburn. Even-chance lotteries in social choice theory. *Theory and Decision*, 3(1):18–40, 1972.
- P. C. Fishburn. Condorcet social choice functions. *SIAM Journal on Applied Mathematics*, 33(3):469–489, 1977.
- P. Gärdenfors. Manipulation of social choice functions. *Journal of Economic Theory*, 13(2):217–228, 1976.
- P. Gärdenfors. On definitions of manipulation of social choice functions. In J. J. Laffont, editor, *Aggregation and Revelation of Preferences*. North-Holland, 1979.
- C. Geist and U. Endriss. Automated search for impossibility theorems in social choice theory: Ranking sets of objects. *Journal of Artificial Intelligence Research*, 40:143–174, 2011.
- C. Geist and D. Peters. Computer-aided methods for social choice theory. In U. Endriss, editor, *Trends in Computational Social Choice*, chapter 13, pages 249–267. AI Access, 2017.
- A. Gibbard. Manipulation of voting schemes: A general result. *Econometrica*, 41(4):587–601, 1973.
- A. Hylland. Strategyproofness of voting procedures with lotteries as outcomes and infinite sets of strategies. Mimeo, 1980.
- A. Ignatiev, A. Previti, M. Liffiton, and J. Marques-Silva. Smallest mus extraction with minimal hitting set dualization. In *Proceedings of the 21st International Conference on Principles and Practice of Constraint Programming*, volume 9255, pages 173–182, New York, NY, USA, 2015. Springer-Verlag New York, Inc.
- M. Isaksson, G. Kindler, and E. Mossel. The geometry of manipulation: A quantitative proof of the Gibbard-Satterthwaite theorem. *Combinatorica*, 32:221–250, 2012.
- J. S. Kelly. Strategy-proofness and social choice functions without single-valuedness. *Econometrica*, 45(2):439–446, 1977.

- M. H. Liffiton and K. A. Sakallah. Algorithms for computing minimal unsatisfiable subsets of constraints. *Journal of Automated Reasoning*, 40(1):1–33, 2008.
- M. H. Liffiton, A. Previti, A. Malik, and J. Marques-Silva. Fast, flexible MUS enumeration. *Constraints*, 21(2):223–250, 2016.
- I. MacIntyre and P. K. Pattanaik. Strategic voting under minimally binary group decision functions. *Journal of Economic Theory*, 25(3):338–352, 1981.
- F. Marić. Formal verification of a modern SAT solver by shallow embedding into Isabelle/HOL. *Theoretical Computer Science*, 411(50):4333 – 4356, 2010.
- A. Mas-Colell and H. Sonnenschein. General possibility theorems for group decisions. *Review of Economic Studies*, 39(2):185–192, 1972.
- E. Mossel and M. Z. Rácz. A quantitative gibbard-satterthwaite theorem without neutrality. *Combinatorica*, 35(3):317–387, 2015. ISSN 1439-6912.
- K. Nehring. Monotonicity implies generalized strategy-proofness for correspondences. *Social Choice and Welfare*, 17(2):367–375, 2000.
- T. Nipkow, L. C. Paulson, and M. Wenzel. *Isabelle/HOL – A Proof Assistant for Higher-Order Logic*, volume 2283 of *LNCS*. Springer, 2002.
- C. Rodríguez-Álvarez. On the manipulation of social choice correspondences. *Social Choice and Welfare*, 29(2):175–199, 2007.
- V. Rychin and O. Strichman. Faster extraction of high-level minimal unsatisfiable cores. In K. A. Sakallah and L. Simon, editors, *Proceedings of the 14th International Conference on Theory and Applications of Satisfiability Testing - SAT 2011*, volume 6695 of *Lecture Notes in Computer Science (LNCS)*, pages 174–187. Springer, 2011.
- M. R. Sanver and W. S. Zwicker. Monotonicity properties and their adaption to irresolute social choice rules. *Social Choice and Welfare*, 39(2–3):371–398, 2012.
- S. Sato. On strategy-proof social choice correspondences. *Social Choice and Welfare*, 31:331–343, 2008.
- S. Sato. A fundamental structure of strategy-proof social choice correspondences with restricted preferences over alternatives. *Social Choice and Welfare*, 42(4):831–851, 2014.
- M. A. Satterthwaite. Strategy-proofness and Arrow’s conditions: Existence and correspondence theorems for voting procedures and social welfare functions. *Journal of Economic Theory*, 10(2):187–217, 1975.
- A. K. Sen. *Collective Choice and Social Welfare*. North-Holland, 1970.
- P. Tang and F. Lin. Computer-aided proofs of Arrow’s and other impossibility theorems. *Artificial Intelligence*, 173(11):1041–1053, 2009.
- A. D. Taylor. *Social Choice and the Mathematics of Manipulation*. Cambridge University Press, 2005.
- W. S. Zwicker. Consistency without neutrality in voting rules: When is a vote an average? *Mathematical and Computer Modelling*, 48(9):1357 – 1373, 2008.

## Appendix

### A Proofs

#### A.1 Proof of Theorem 3.1

*Proof.* Assume for contradiction that there are two preference profiles  $R$  and  $R'$ , and an agent  $i \in N$  such that  $\succsim_j = \succsim'_j$  for all  $j \neq i$  and  $PO(R') \succsim_i^K PO(R)$ . It is well-known that the Pareto dominance relation is transitive and that every Pareto-dominated alternative is Pareto-dominated by some alternative in  $PO$ . This also implies that  $PO$  contains at least one top-ranked alternative from every agent because top-ranked alternatives can only be Pareto-dominated by other top-ranked alternatives. This implies that a manipulation from  $R$  to  $R'$  would only be possible if there is some  $x \in PO(R) \setminus PO(R')$  and there is no  $x' \in PO(R) \setminus \{x\}$  with  $x' \sim_i x$ . Since  $x \notin PO(R')$ , there has to be some  $y \in PO(R')$  such that  $y$  Pareto-dominates  $x$  in  $R'$ . Moreover,  $y$  does not Pareto-dominate  $x$  in  $R$ . This implies that  $x \succ_i y$ . Since  $x \in PO(R)$  and  $y \in PO(R')$ , it is impossible that  $PO(R') \succsim_i^K PO(R)$ .  $\square$

#### A.2 Proof of Lemma 5.1

*Proof.* We define an embedding  $\varphi$  of preference profiles  $R' = (\succsim'_1, \dots, \succsim'_{n'})$  over  $N'$  and  $A'$  into preference profiles  $R$  over  $N$  and  $A$  by means of extending the existing preferences with  $D = A \setminus A'$  as new bottom-ranked, hence Pareto-dominated, alternatives and adding indifferent agents:

$$\begin{aligned} \varphi(R') &= R \\ \text{with } \succsim_i &= \begin{cases} \succsim'_i \cup (A \times D) & \text{if } i \in N', \\ A \times A & \text{otherwise.} \end{cases} \end{aligned}$$

Now let  $f'(R') = f(\varphi(R'))$ .  $f'$  is anonymous since  $f$  is anonymous and agents in  $N$  only differ by their preferences over  $A'$ . Pareto-optimality of  $f'$  holds because  $f$  is Pareto-optimal and  $PO(R) = PO(R')$ . Finally,  $f'$  is strategyproof because  $f$  is strategyproof and the choice sets of  $f'$  under the two profiles  $R'$  and  $(R')_{i \rightarrow \succsim'_i}$  are equal to the choice sets of  $f$  under the two (extended) profiles  $R$  and  $R_{i \rightarrow \succsim_i}$ , respectively.  $\square$

#### A.3 Proof of Corollary 5.3

*Proof.* Let  $N = \{1, 2\}$  and  $A = \{a, b, c\}$  and assume for contradiction that  $f$  is a neutral and anonymous SCF that satisfies Pareto-optimality and Fishburn-strategyproofness. First, consider preference profile  $R^1$ .

$$\succsim_1^1: a, b, c \qquad \qquad \qquad \succsim_2^1: b, a, c$$

By anonymity and neutrality,  $a \in f(R^1)$  if and only if  $b \in f(R^1)$ . Together with  $c$  being Pareto-dominated by  $b$ , this implies  $f(R^1) = \{a, b\}$ . This already determines the choice set for the following preference profile  $R^2$ .

$$\succsim_1^2: a, b, c \qquad \qquad \qquad \succsim_2^2: \{b, c\}, a$$

Both  $f(R^2) = \{a\}$  and  $f(R^2) = \{b\}$  would allow for manipulations since the second agent prefers  $\{a, b\}$  to  $\{a\}$  in  $R^2$  and  $\{b\}$  to  $\{a, b\}$  in  $R^1$ . Furthermore,  $c \notin f(R^2)$  since alternative  $c$  is Pareto-dominated by  $b$ , hence  $f(R^2) = \{a, b\}$ . Lastly, we consider preference profile  $R^3$ .

$$\succsim_1^3: a, \{b, c\} \qquad \qquad \qquad \succsim_2^3: \{b, c\}, a$$



By anonymity and neutrality,  $b \in f(R^3)$  if and only if  $c \in f(R^3)$ . However, if  $\{b, c\} \subseteq f(R^3)$ , then the first agent can deviate from  $\succsim_1^3$  to  $\succsim_1^2$ . This only leaves  $f(R^3) = \{a\}$ , which allows the first agent to deviate from  $\succsim_1^2$  to  $\succsim_1^3$ , a contradiction.  $\square$

#### A.4 Proof of Theorem 5.4

*Proof.* Let  $N = \{1, 2, 3\}$  and  $A = \{a, b, c\}$  and assume for contradiction that there is a pairwise SCF  $f$  that satisfies Pareto-optimality and Kelly-strategyproofness. If not stated otherwise, the absolute values of the majority margins in the following applications of pairwise SCFs are always one. First, consider the classic Condorcet profile  $R^1$ .

$$\succsim_1^1: a, b, c \quad \succsim_2^1: c, a, b \quad \succsim_3^1: b, c, a.$$

Due to the symmetry of the profile, we may assume without loss of generality that  $b \in f(R^1)$ . Now consider  $R^2$ .

$$\succsim_1^2: a, b, c \quad \succsim_2^2: c, a, b \quad \succsim_3^2: b, \{a, c\},$$

$R^2$  and  $R^1$  only differ in the third agent's preferences. By Fishburn-strategyproofness,  $b \in f(R^2)$ , as otherwise Agent 3 could obtain a preferred choice set by changing his preferences from  $\succsim_3^2$  to  $\succsim_3^1$ . Now consider  $R^3$ , which has the same majority margins as  $R^2$ .

$$\succsim_1^3: a, b, c \quad \succsim_2^3: \{a, c\}, b \quad \succsim_3^3: b, c, a,$$

Since  $g_{R^2} = g_{R^3}$ ,  $b \in f(R^3)$ . Now consider  $R^4$ .

$$\succsim_1^4: a, b, c \quad \succsim_2^4: a, c, b \quad \succsim_3^4: b, c, a,$$

$R^4$  differs from  $R^3$  by the second agent's preferences  $\succsim_2^4$ . It follows that  $b \in f(R^4)$ . Otherwise, the second agent could misrepresent his preferences  $\succsim_2^3$  by  $\succsim_2^4$  and obtain the Kelly-preferred choice set  $f(R^4)$  without  $b$ . Finally, consider  $R^5$ .

$$\succsim_1^5: a, b, c \quad \succsim_2^5: \{a, b, c\} \quad \succsim_3^5: \{a, b, c\}.$$

Since  $g_{R^3} = g_{R^4}$ ,  $b \in f(R^5)$  holds as well. However,  $b$  is Pareto-dominated by  $a$  in  $R^5$ , a contradiction.  $\square$

## B Tables

$m$	$n$	Preference profiles	SCFs
3	3	455	$\sim 3.3 \cdot 10^{384}$
3	4	1,820	$\sim 1.2 \cdot 10^{1,538}$
4	3	73,150	$\sim 1.2 \cdot 10^{86,031}$
4	4	1,426,425	$\sim 9.4 \cdot 10^{1,677,605}$

Table 1: Number of different profiles and possible SCFs when assuming anonymity.

Profile	Agent 1	Agent 2	Agent 3
1	$\{a, c\}, b$	$\{a, c\}, b$	$b, c, a$
2	$c, \{a, b\}$	$b, c, a$	$c, b, a$
3	$\{a, c\}, b$	$b, c, a$	$c, b, a$
4	$\{a, c\}, b$	$a, b, c$	$b, c, a$
5	$c, \{a, b\}$	$a, b, c$	$b, c, a$
6	$b, \{a, c\}$	$c, \{a, b\}$	$b, c, a$
7	$\{a, c\}, b$	$b, \{a, c\}$	$b, c, a$
8	$\{b, c\}, a$	$a, \{b, c\}$	$a, c, b$
9	$\{b, c\}, a$	$b, \{a, c\}$	$a, b, c$
10	$c, \{a, b\}$	$a, b, c$	$c, b, a$
11	$\{a, c\}, b$	$a, b, c$	$c, b, a$
12	$c, \{a, b\}$	$b, a, c$	$c, b, a$
13	$\{a, c\}, b$	$b, a, c$	$c, b, a$
14	$a, \{b, c\}$	$c, \{a, b\}$	$a, c, b$
15	$\{b, c\}, a$	$a, \{b, c\}$	$a, b, c$
16	$\{a, b\}, c$	$c, \{a, b\}$	$a, b, c$
17	$a, \{b, c\}$	$a, b, c$	$b, c, a$
18	$\{a, c\}, b$	$b, \{a, c\}$	$b, a, c$
19	$a, \{b, c\}$	$c, \{a, b\}$	$a, b, c$
20	$b, \{a, c\}$	$a, b, c$	$b, a, c$
21	$\{b, c\}, a$	$a, b, c$	$b, c, a$

Table 2: The 21 profiles needed for the proof of Theorem 5.2.

$f(\cdot)$	$\{a\}$	$\{b\}$	$\{a, b\}$	$\{c\}$	$\{a, c\}$	$\{b, c\}$	$\{a, b, c\}$
$R^1$		P		<b>Q</b>		O	
$R^2$		U		L		V	
$R^3$		S		<b>T</b>		R	
$R^4$	A	H	I	E	<b>N</b>	M	J
$R^5$	?	B	C	F	?	G	D
$R^{10}$	?	?	?	K	?	?	?

Table 3: Main steps in the proof of Theorem 5.2.

Step	Sequence of profiles
A	4, 1, 3, 2, 12, 10, 11, 13, 18, 20, 9, 21, 5
B, C, D	5, 16, 19, 14, 8, 15, 17, 4, 21, 9, 20, 18, 7
E	4, 21, 9, 20, 18, 7
F, G	5, 21, 9, 20, 18, 7, 6
H, I, J	4, 5, 17
K	10, 5
L	2, 10, 12
M, O, P	1, 4, 5
R, S, U, V	2, 3, 1

Table 4: Step details in the proof of Theorem 5.2.

## C Diagram

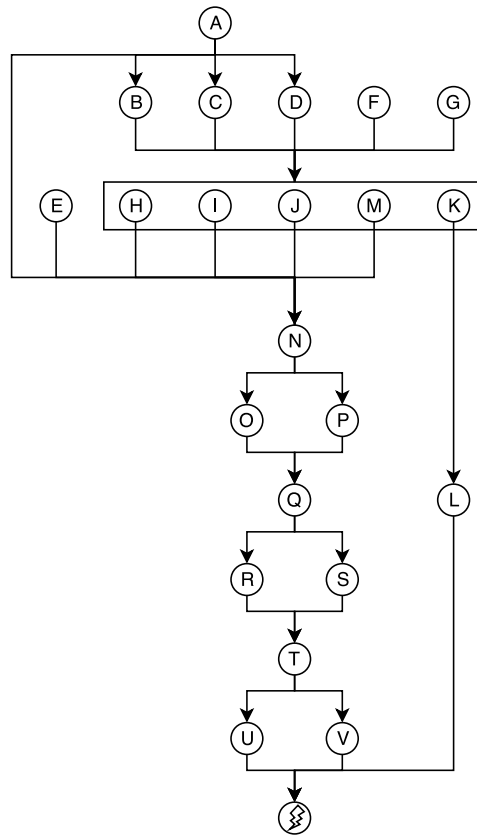


Figure 1: Dependencies of proof steps in Theorem 5.2

## Contact Details

Felix Brandt  
Department of Informatics  
Technical University of Munich  
Munich, Germany  
Email: [brandtf@in.tum.de](mailto:brandtf@in.tum.de)

Christian Saile  
Department of Informatics  
Technical University of Munich  
Munich, Germany  
Email: [saile@in.tum.de](mailto:saile@in.tum.de)

Christian Stricker  
Department of Informatics  
Technical University of Munich  
Munich, Germany  
Email: [stricker@in.tum.de](mailto:stricker@in.tum.de)